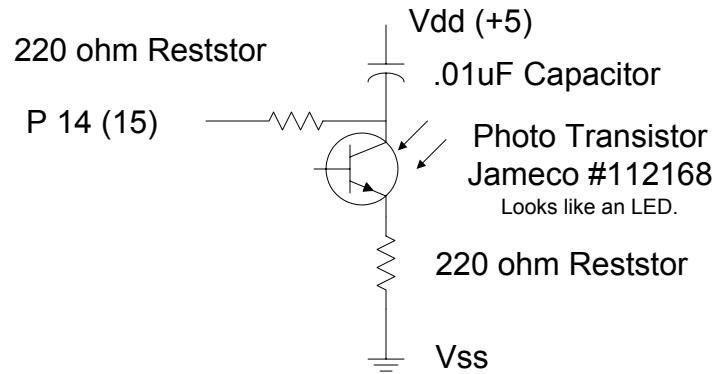


Infra Red Photo Transistor

Infra Red Sensor at 940 nM

For Parallax BS2



```
' ----[ Title ]-----
' Photo Transistor RCTime Display
' Displays the R/C discharge
' {$STAMP BS2}
' {$PBASIC 2.5}

' ----[ I/O Definitions ]-----

PhotoCircuit  CON  14

' ----[ Variables ]-----

PhotoVal  VAR  Word          ' Stores measured RC times of Photo Transistor.

' ----[ Initialization ]-----

DEBUG CLS                    ' Open, clear Debug window

' ----[ Main Code ]-----

DO

    HIGH PhotoCircuit        ' Set to output-high.
    PAUSE 3                  ' Pause for 3 ms
    RCTIME PhotoCircuit,1,PhotoVal  ' Measure R/C time

                                ' Display RC time measurements using Debug Terminal.

    DEBUG HOME, " Right = ", DEC5 PhotoVal, CR

LOOP
```